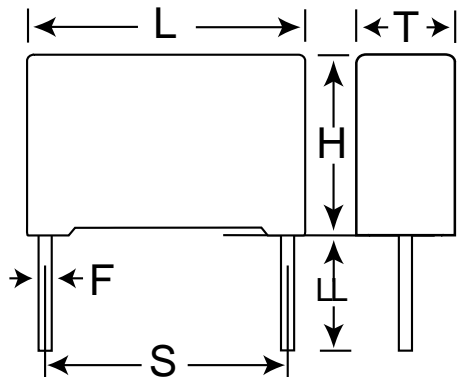


**KEMET Part Number: PHE850EF6470MF14R06L2**  
(F850FR474M300C)

Capacitor, film, 0.47 uF, +/-20% Tol, -55/+110C, Safety: Y2, 300VAC, Lead Spacing=27.5 mm, Not for new design.



Dimensions (mm)		
Symbol	Dimension	Tolerance
L	31.5	MAX
H	28	MAX
T	17.5	MAX
S	27.5	+/-0.4
LL	6	NOM
F	0.8	NOM

Packaging Specifications	
Package Kind:	Bulk
Package Type:	Tray
Package Quantity:	126

General Information	
Supplier:	KEMET
Brand:	Rifa
Miscellaneous Electrical:	Not for new design.

Specifications	
Capacitance:	0.47 uF
Rated Temperature:	110° C
Voltage @ rated temp:	1250VDC
Voltage AC:	300VAC
Tolerance:	+/-20%
Body Type:	Radial Box
Dielectric:	Metallized Polypropylene
Application:	Safety: Y2
Temperature Range:	-55/+110C
Dissipation Factor @ 1 kHz:	0.15%
Dissipation Factor @ 10 kHz:	0.4%
Insulation Resistance:	21.28 GOhm
Maximum dVdT:	100v/us

Agency Approvals	
Approvals:	ENEC,UL,cUL